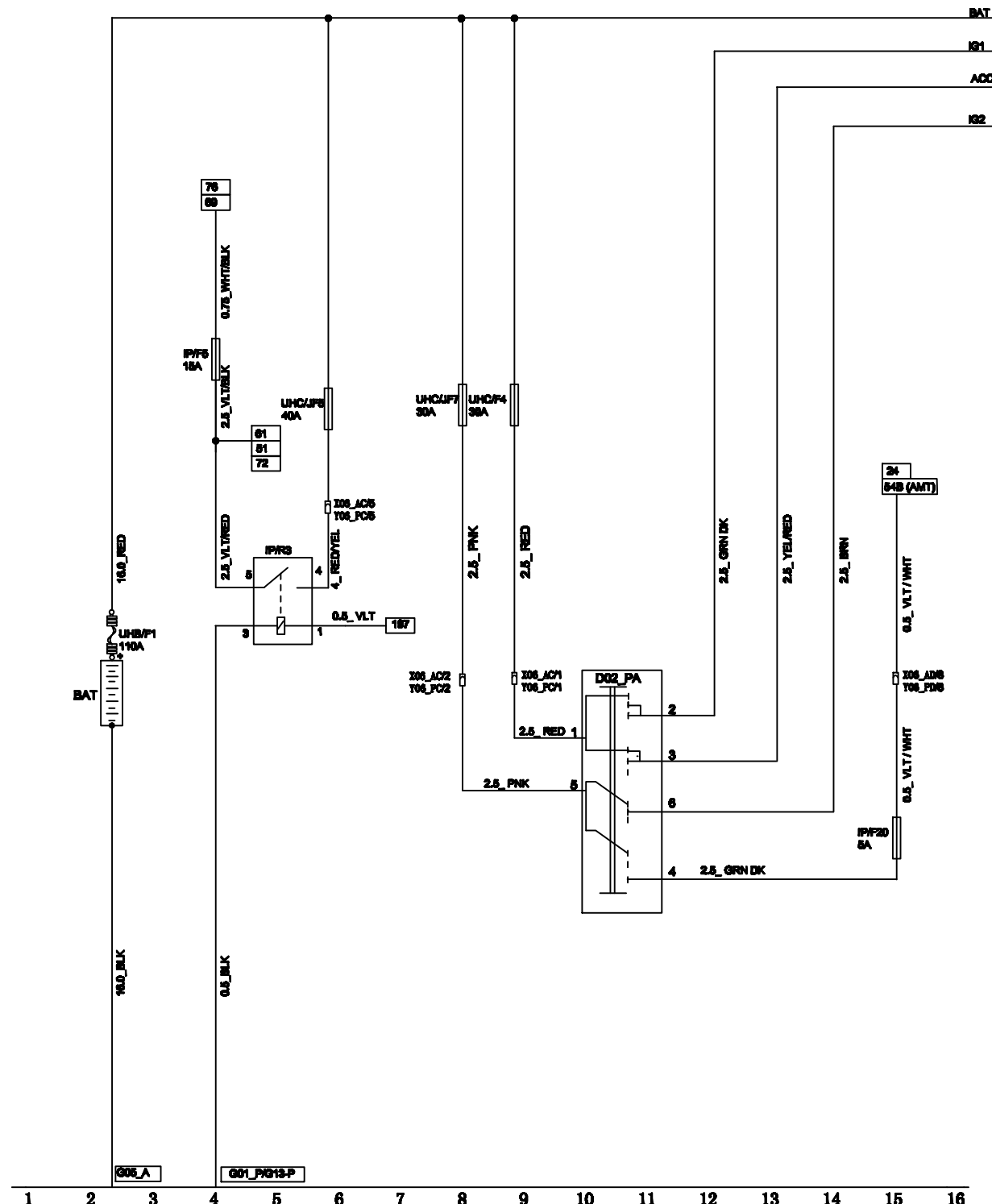




H&&0!< &' \$

- **wiring diagram**

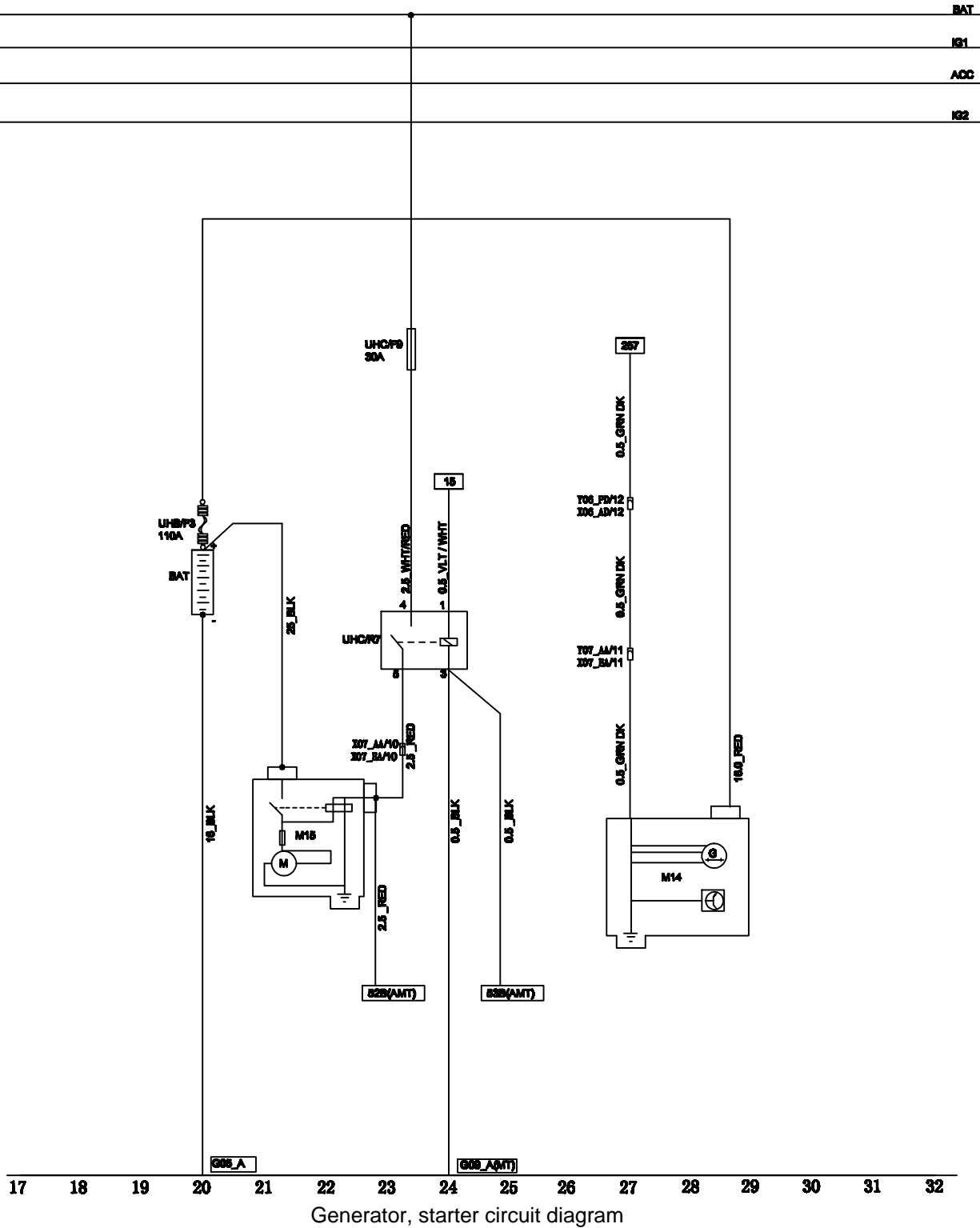
H230H220WD2H/1/1



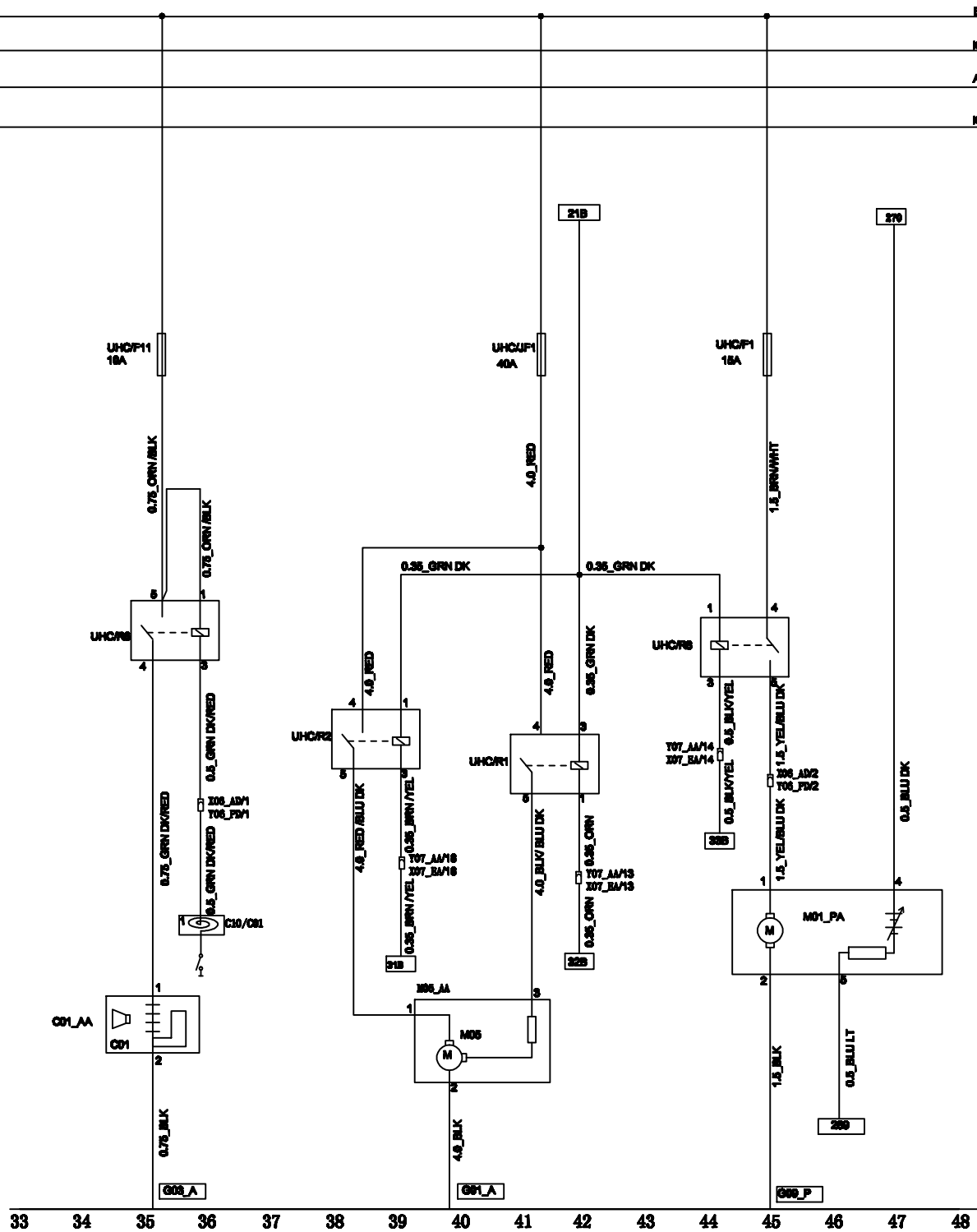
Battery, ignition lock power distribution circuit diagram

UHC-engine compartment fuse box
 UHB(BAT)-connection, engine compartment fuse box connecting to positive pole of battery
 IP-dashboard fuse box terminal
 AT-battery
 X06-AD Y06-PD connector of main cable and engine compartment cable, 20-hole, blue
 X06-AC Y06-PC connector of main cable and engine compartment cable, 10-hole, black

D02_PA-ignition lock connector
 G05_A-negative pole of battery to ground point of vehicle body
 G01_P-ground point on pillar-A at the left of main wiring harness
 G13_P-ground point on pillar-A at the left of main wiring harness



- UHC-engine compartment fuse box
- UHB(BAT)-connection, engine compartment fuse box connecting to positive pole of battery
- IP-dashboard fuse box
- BAT-battery
- M14-generator
- M15-starter
- X06-AD Y06-PD connector of main cable and engine compartment cable, 20-hole, blue
- X07_AA Y07_EA-engine compartment wiring harness splicing to EFI wiring harness connector 42 holes black
- G05_A-negative pole of battery to ground point of vehicle body
- G09_A-engine compartment ground point of the left front shock absorber



Horn, water tank fan, oil pump circuit diagram

- UHC-engine compartment fuse box
- UHB(BAT)-connection, engine compartment fuse box connecting to positive pole of battery
- IP-dash-board fuse box
- M01-oil pump and fuel level sensor
- M05-water tank cooling fan
- C01-horn
- C10-the clock spring

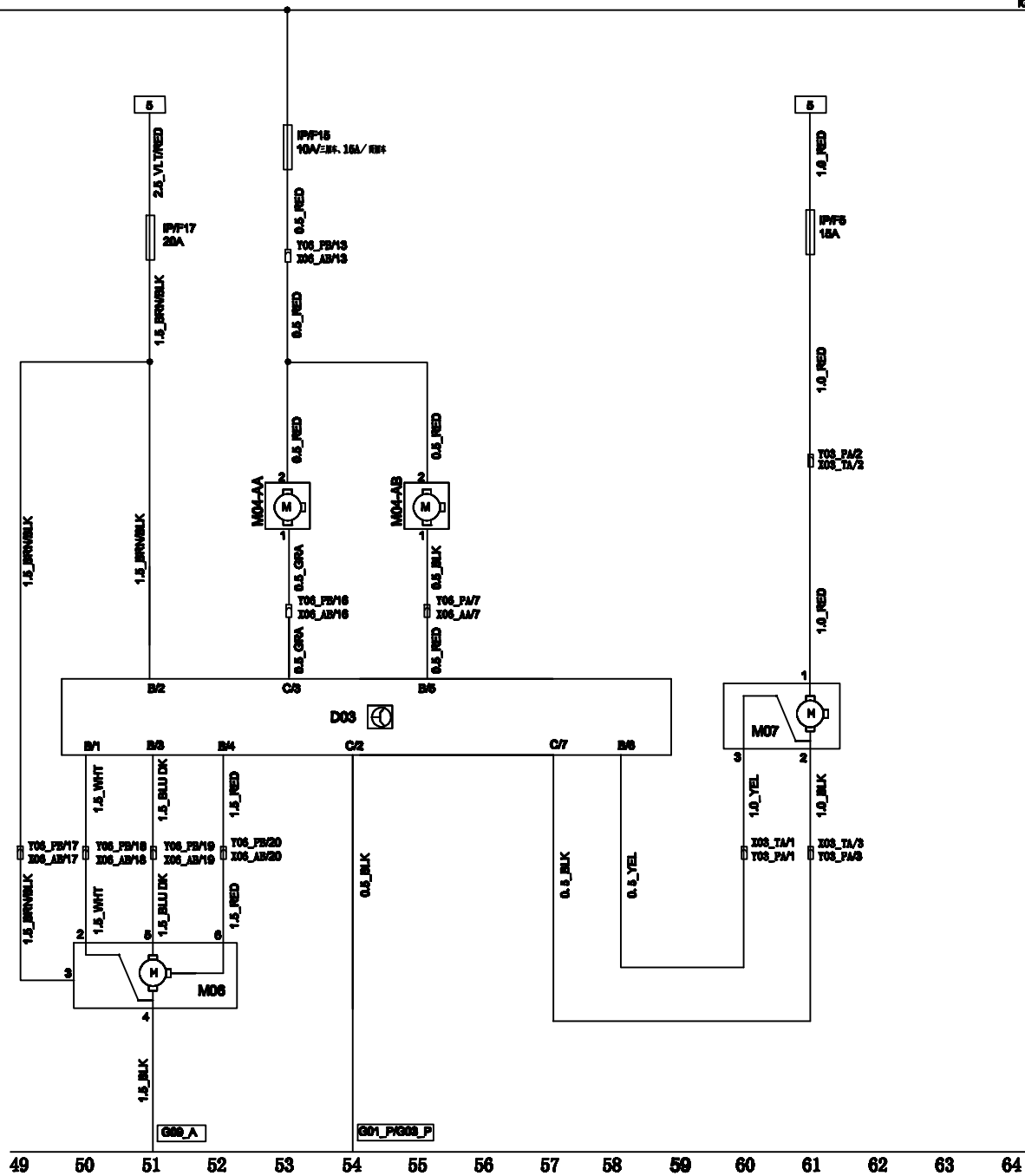
- C10-PA-the clock spring connector 2 holes yellow
- C01_AA-horn connector 2 holes black
- M05_AA-fan connector 3 holes black
- M01_PA-oil pump connector 6 holes brown
- G01_A-engine compartment left front ground point
- G09_P-ground point below left pillar-C

BAT

IG1

ACC

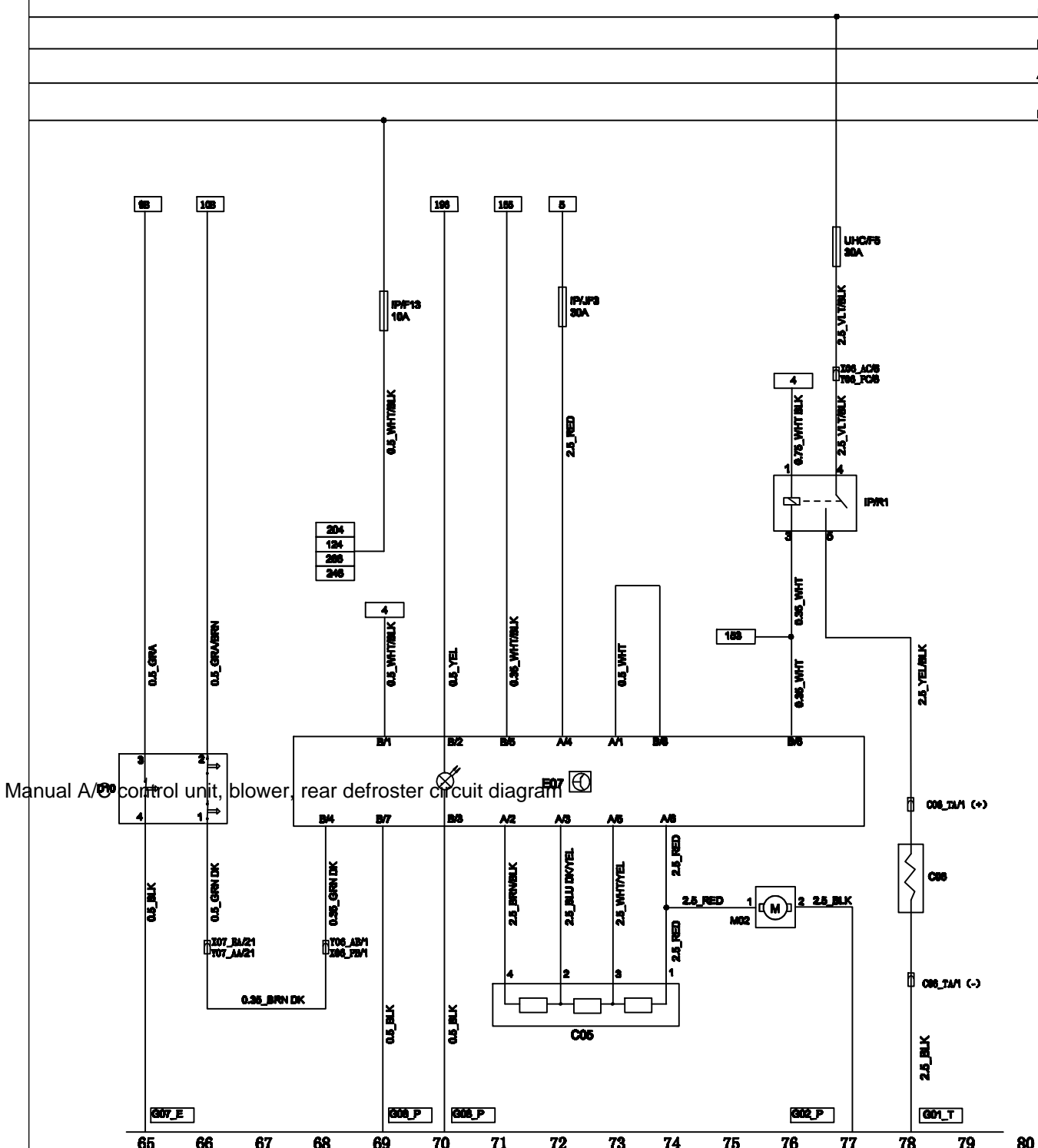
IG2



Wiper control switch, front wiper motor, washing fluid pump circuit diagram

UHC-engine compartment fuse box
 UHB(BAT)-connection, engine compartment fuse box connecting to positive pole of battery
 IP-dashboard fuse box
 M04_AA-front washing fluid pump motor
 M04_AB-rear washing fluid pump motor
 D03-wiper switch
 M06-front windscreen wiper motor
 M04-washing fluid pump motor
 H07-rear wind screen wiper motor
 X06_AB Y06_PB-main wiring harness and engine compartment wiring harness splicing connector 20 holes white
 X06_AA Y06_PA-main wiring harness and engine compartment wiring harness splicing connector 20 holes blue

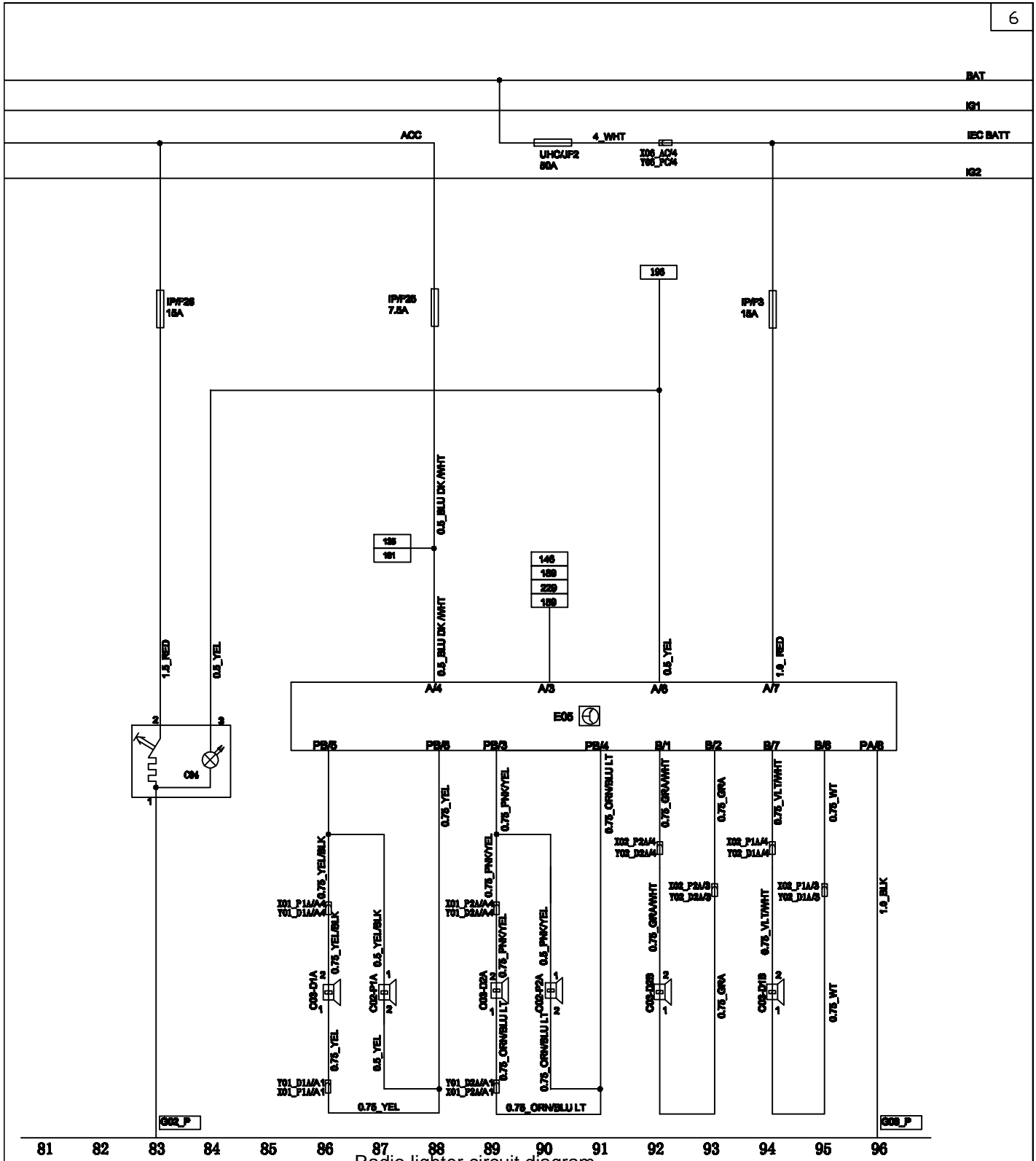
H07_TA-rear wiper motor connector 5 holes gray
 M06_AA-front wiper motor connector 6 holes black
 D03_PB-wiper switch connector 14 holes white
 M04_AA-washing fluid pump motor connector (3 volumes saloon) 2 holes white
 M04_AB-washing fluid pump motor connector (hatchback car) 2 holes white
 X03_PA Y03_TA-main wiring harness and tailgate wiring harness splicing connector 20 holes blue
 G01_P-ground point on pillar-A at the left of main wiring harness
 G09_A-ground point1 at left front shock absorber in the engine compartment



Manual A/C control unit, blower, rear defroster circuit diagram

Manual A/C control unit, blower, rear defroster circuit diagram

- UH-engine compartment fuse box
- UH(BAT)-connection, engine compartment fuse box connecting to positive pole of battery
- IP-dashboard fuse box
- E07-manual A/C control unit
- D10-A/C pressure switch
- M02-blower motor
- C06-rear defrosting heater
- C05-blower adjustment resistance
- D10_EA-A/C pressure switch connector 4 holes green
- X07_AA Y07_EA-engine compartment wiring harness splicing to EFI wiring harness connector 42hole black
- X06_AB Y06_PB-main wiring harness splicing to engine compartment wiring harness 20 hole white
- E07_PA-A/C ECU connector 20 holes black
- M02_PA-blower motor connector 2 holes white
- C05_PA-blower speed adjustment resistance connector 4 holes white
- C06_PA-rear defrosting heater connector positive pole 1 hole black
- C06_PB-rear defrosting heater connector negative pole 1 hole black
- G02_P-ground point on pillar-A at the right of main wiring harness
- G01_T-pillar-c ground point
- G08_P-ground point below pillar-A at the right of main wiring harness
- G07_E-ground point2 on the RH shock absorber of the EFI wiring harness



Radio, lighter circuit diagram

- UHC-engine compartment fuse box
- IP-dash-board fuse box
- C04-cigar lighter connector 3 holes black
- C03_D1A-left front door woofer connector 2 holes black
- C02_P1A-tweeter connector 2 holes white
- C03_D2A-right front door woofer connector 2 holes black
- C02_P2A-tweeter connector 2 holes white
- C03_D1B-left rear door woofer connector 2 holes black
- C03_D2B-right rear door tweeter connector 2 holes black
- X06_AC Y06_PC-dash-board wiring harness splicing to enging compartment wiring harness 6 holes black

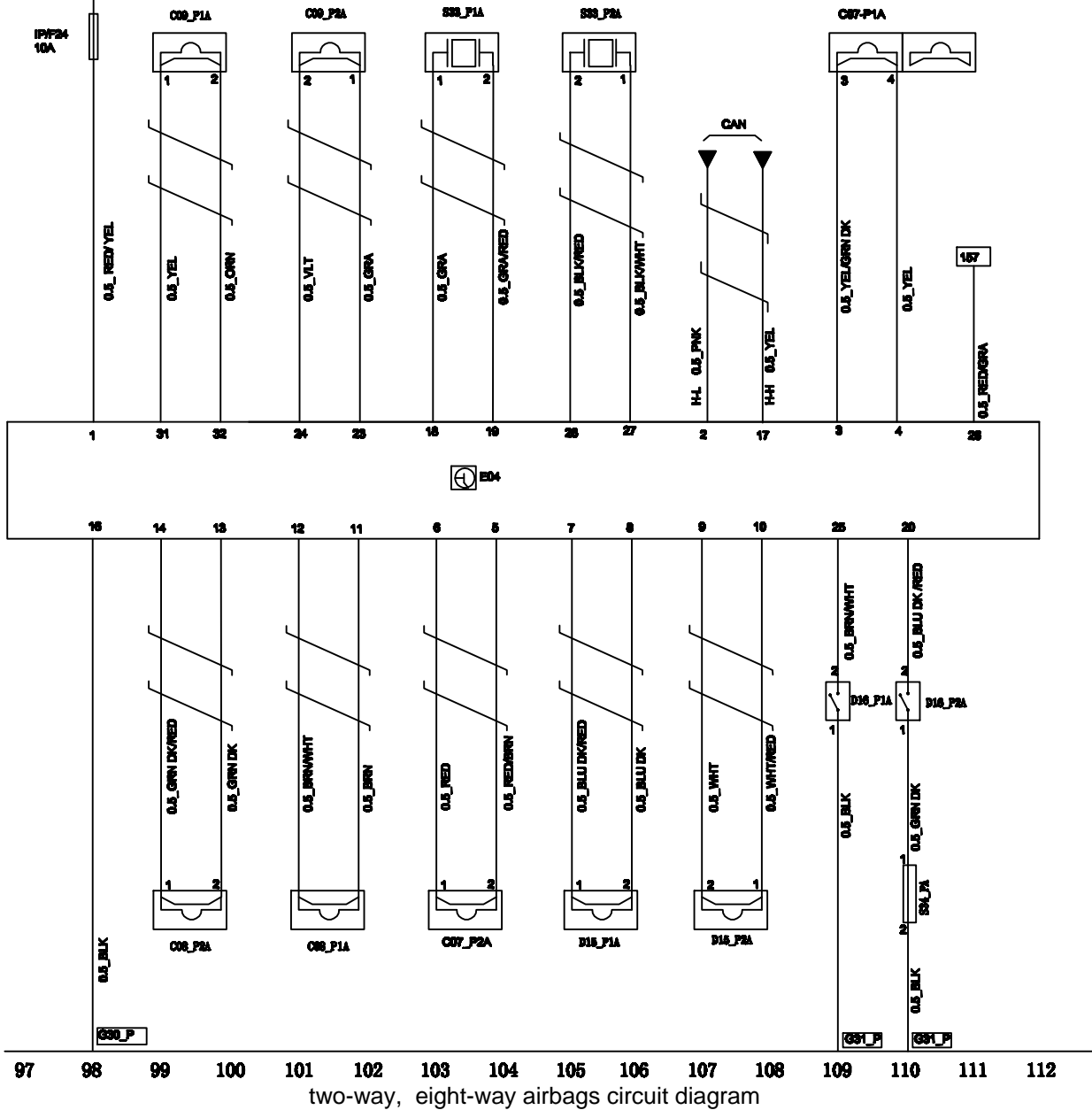
- E05_PA-radio connector A 8 holes white
- E05_PB-radio connector B 8 holes black
- X01_P1A Y01_D1A-dash-board main wiring harness and left front door wiring harness splicing connector 18 holes black
- X01_P1B Y01_D1A-dash-board main wiring harness and left front door wiring harness splicing connector 14 holes white
- X01_P2A Y01_D2A-dash-board main wiring harness and right front door wiring harness splicing connector 18 holes black
- Y02_P1A X02_D1B-left rear door wiring harness and main wiring harness splicing connector 14 holes white
- Y02_P2A X02_D2B-right rear door wiring harness and main wiring harness splicing connector 14 holes white

BAT

K81

REC BATT

K82



two-way, eight-way airbags circuit diagram

IP-dash-board fuse box

E04-airbag ECU(two-way is blue\eight is gray)

C08_P2A-passenger side airbag trigger

C08_P1A-driver side airbag trigger

C07_P2A-passenger airbag trigger

C07_P1A-driver airbag trigger

S33_P1A-driver's side sensor

S33_P2A-passenger's side sensor

C09_P1A-driver's air curtain connector

4 holes yellow

C09_P2A-passenger's air curtain connector

2 holes yellow

D15_P1A-driver's seat belt pre-tensioner

2 holes yellow

D15_P2A-passenger's seat belt pre-tensioner

2 holes yellow

D16_P2A-assistant driver's side seat belt

latch connector 2 holes white

S34_PA-passenger detecting sensor connector

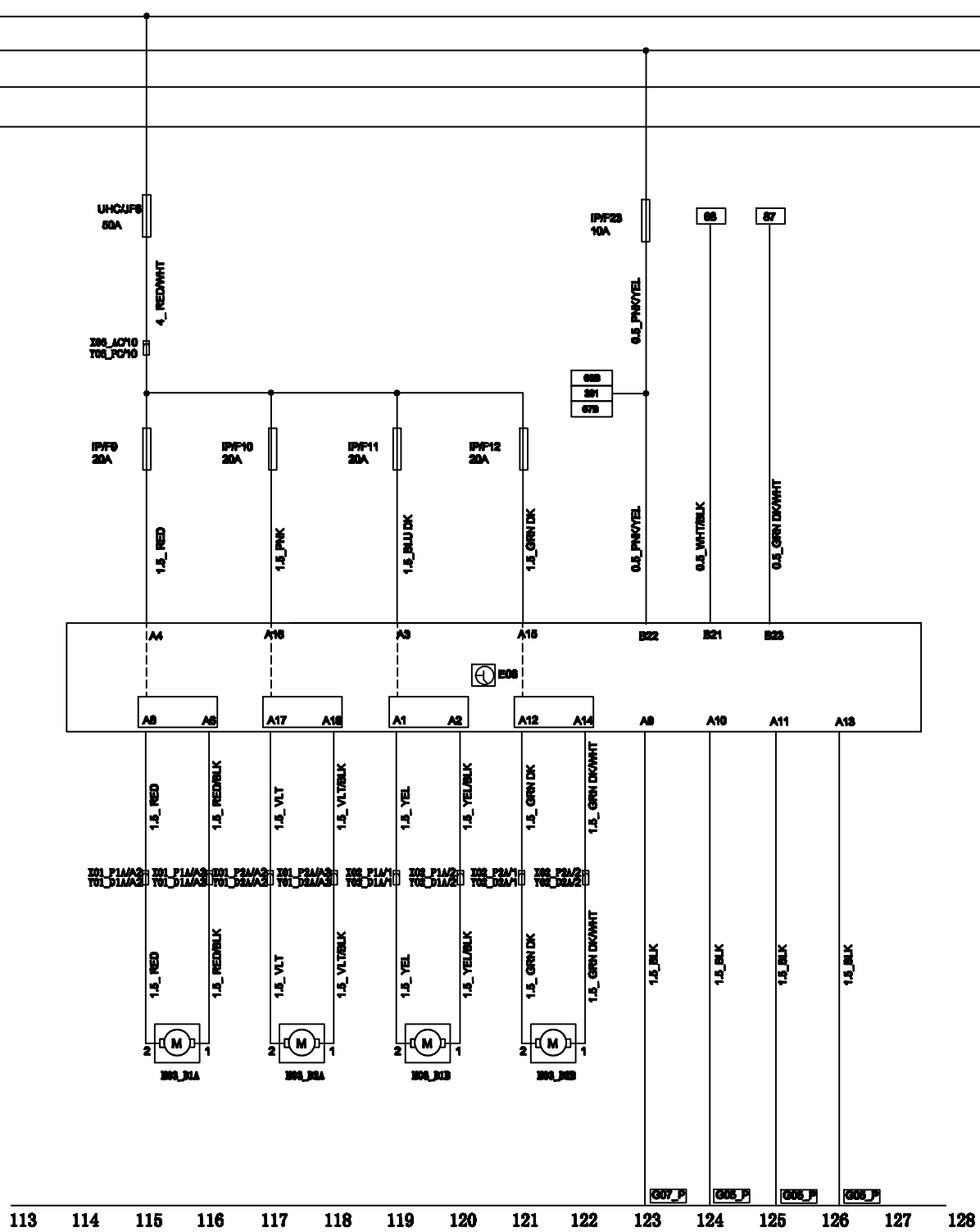
2 holes black

D16_P1A-driver's side seat belt latch

connector 2 holes white

G30_P-airbag ECU ground point

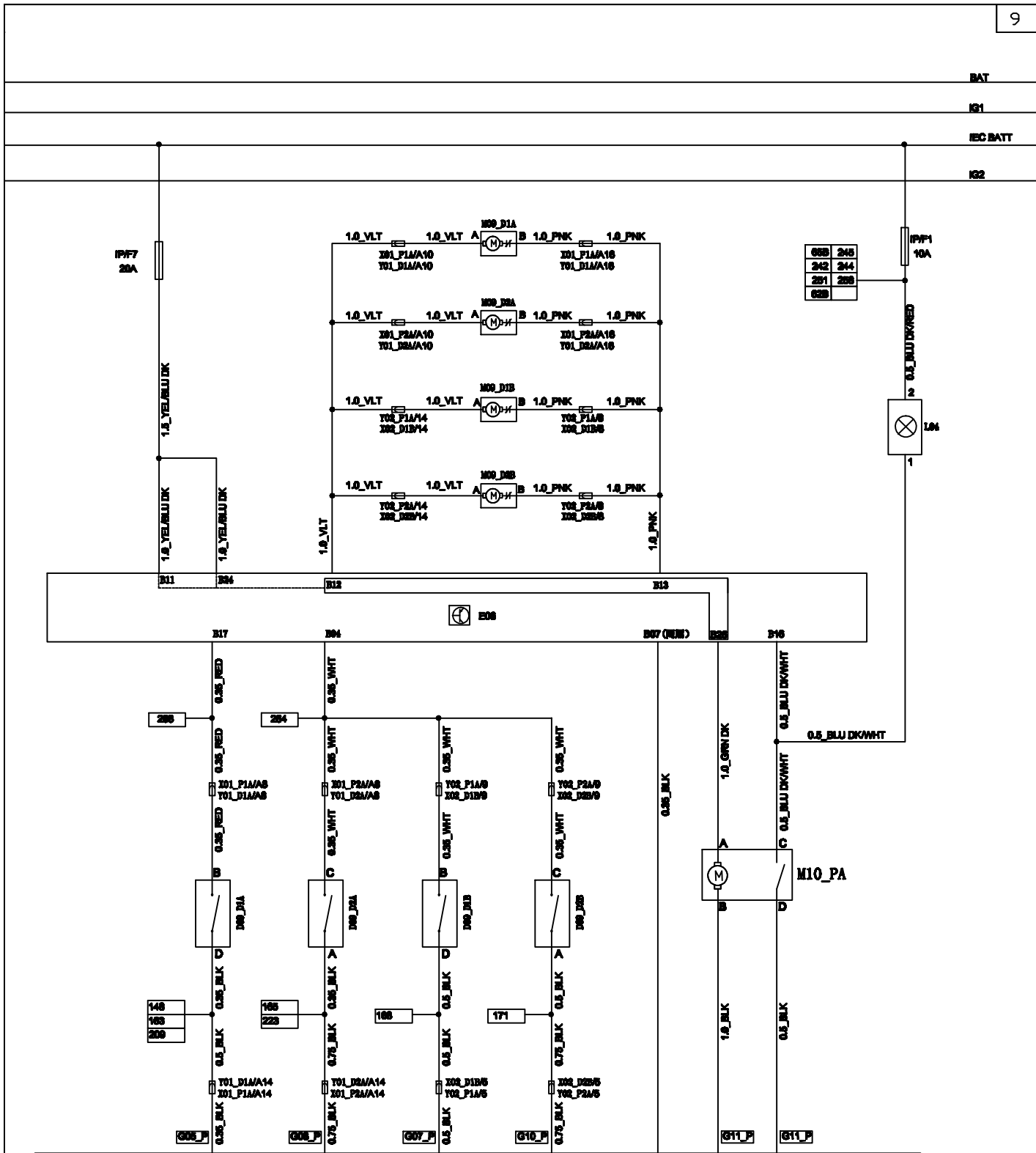
G31_P-airbag ECU ground point



BCM circuit diagram

UH-engine compartment fuse box
 UH(BAT)-connection, engine compartment fuse box connecting to positive pole of battery
 IP-dashboard fuse box
 M03-electric window motor
 E06-BCM body ECU
 E06_PC-body ECU BCM connector 16 holes white
 E06_PA-body ECU BCM connector 18 holes black
 E06_PB-body ECU BCM connector 26 holes white
 M03_D1A-LF electric window connector 2 holes black
 M03_D2A-RF electric window connector 2 holes black
 M03_D1B-LR electric window connector 2 holes black
 M03_D2B-RR electric window connector 2 holes black
 G05_P-BCM ground point

Y01_D1A-LF door wiring harness and ashboard main wiring harness 36 holes white
 Y01_P2A-RF door wiring harness and ashboard main wiring harness 36 holes white
 X01_P1A-dashboard main wiring harness and LF door wiring harness connector 18 holes black
 X01_P2A-dashboard main wiring harness and RF door wiring harness connector 18 holes black
 X02_P1A Y02_D1A-LR door splicing to main wiring harness connector 14 holes white
 X02_P2A Y02_D2A-RR door splicing to main wiring harness connector 14 holes white
 G07_P-ground point below the pillar-B at the left of main wiring harness



129 130 131 132 133 134 135 136 137 138 139 140 141 142 143 144
 Front door central locking switch, door lock motor, warning lamp module circuit diagram

- E06-BCM ECU connector 26 holes white
- IP-dashboard fuse box
- M09_D1A-left front door lock motor
- M09_D2A-right front door lock motor
- M09_D1B-left rear door lock motor
- M09_D2B-right rear door lock motor
- D09_D1A-LF door multifunctional switch connector 4 holes
- D09_D2A-RF door multifunctional switch connector 4 holes
- D09_D1B-LF door multifunctional switch connector 4 holes
- D09_D2B-RF door multifunctional switch connector 4 holes
- L04_PA-luggage lamp connector 2 holes white

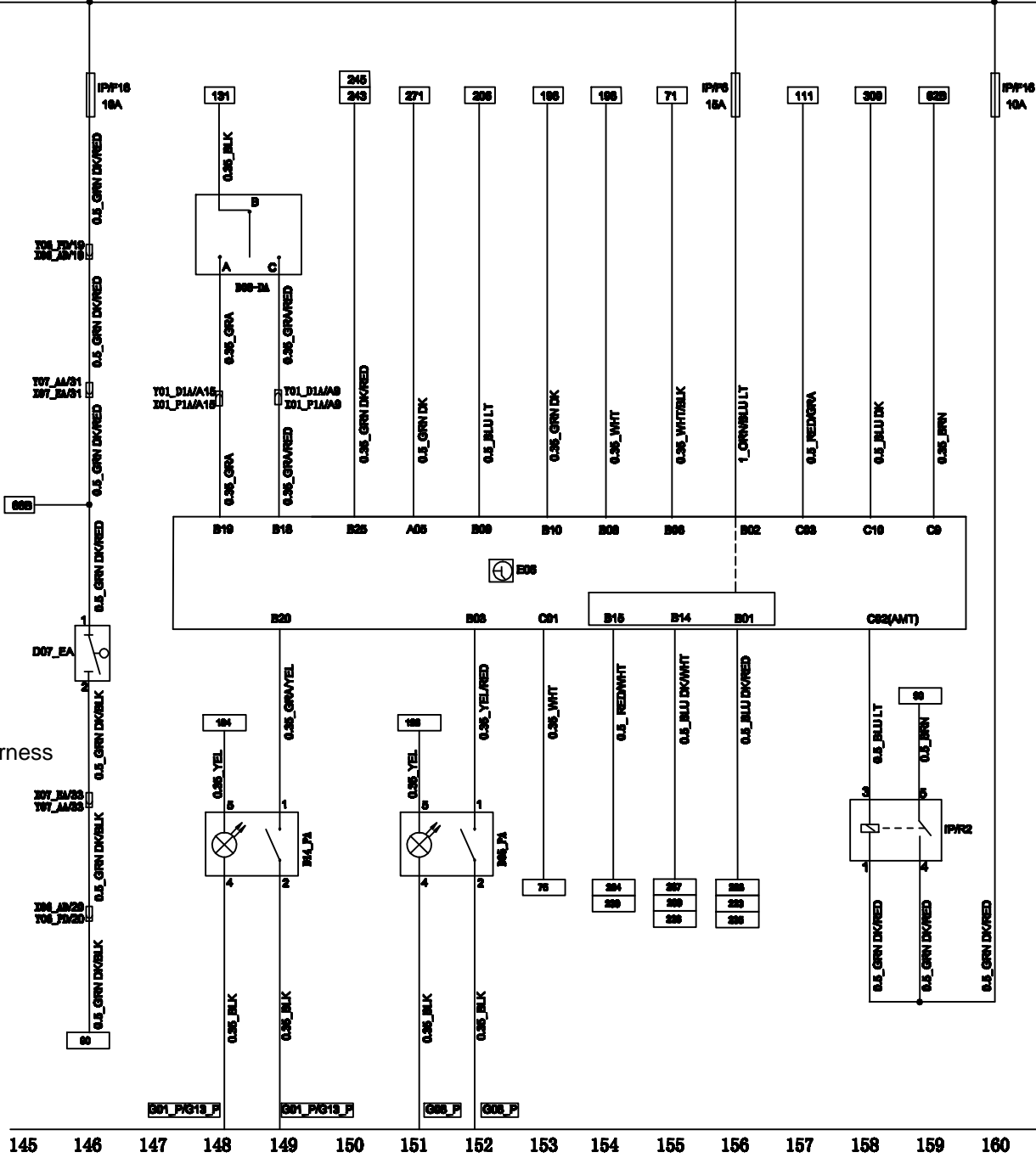
- M10_PA-tailgate lock motor connector 4 holes white
- X01_P1A Y01_D1A-dashboard main wiring harness and LF door wiring harness connector 18 hole black
- X01_P2A Y01_D2A-dashboard main wiring harness and RF door wiring harness connector 18 hole black
- Y02_P1A X02_D1B-LR door splicing to main wiring harness connector 14 holes white
- Y02_P2A X02_D2B-RR door splicing to main wiring harness connector 14 holes white
- G05_P-BCM ground point
- G08_P-ground point below pillar-A at the right of main wiring harness
- G07_P-ground point below left pillar-B
- G10_P-ground point below RR seats
- G11_P-ground point below LR combination lights

BAT

IG1

IEC BATT

IG2



wiring harness

body control unit lighting control circuit diagram

- IP-dashboard fuse box
- E06_PB-body ECU BCM connector 26 holes white
- E06_PC-body ECU BCM connector 16 holes white
- D14_PA-tailgate lock switch
- D05_PA-double-flash switch
- D08_DA-central locking switch
- X01_D1A X01_P1A-dashboard main wiring harness and LF door wiring harness connector 18 holes black

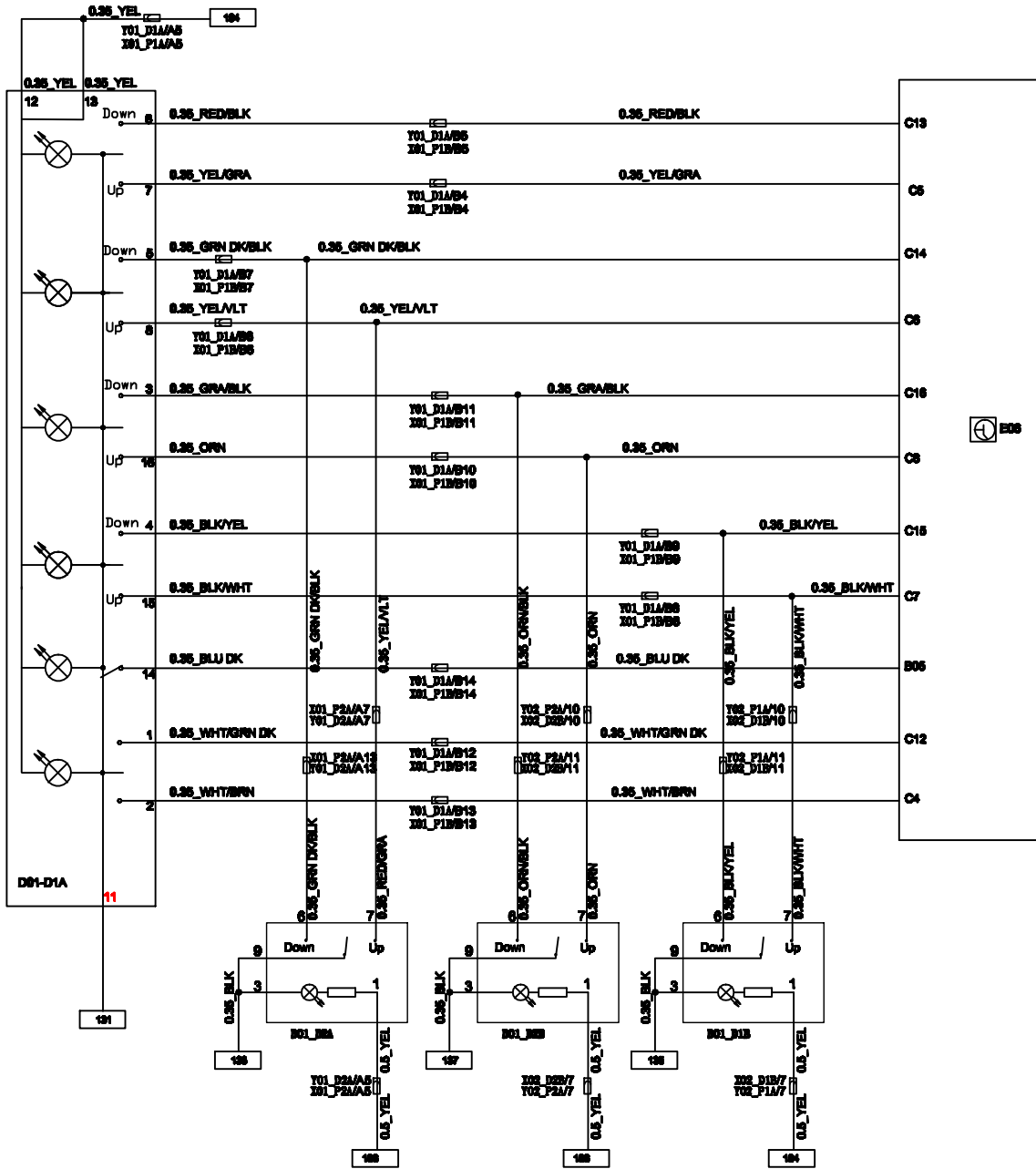
- D07_EA-reversing switch
- X07_EA Y07_AA-engine compartment wiring harness splicing to EFI wiring harness 42 holes
- X06_AD Y06_PD-dashboard wiring harness splicing to engine compartment wiring harness 20 holes blue
- G01_P-ground point on the pillar-A at the left of main wiring harness
- G13_P-ground point on the pillar-A at the left of main wiring harness
- G08_P-ground point on the right pillar-A

BAT

K01

REC BATT

K02



161 162 163 164 165 166 167 168 169 170 171 172 173 174 175 176
 Power window switch, power window motor circuit diagram

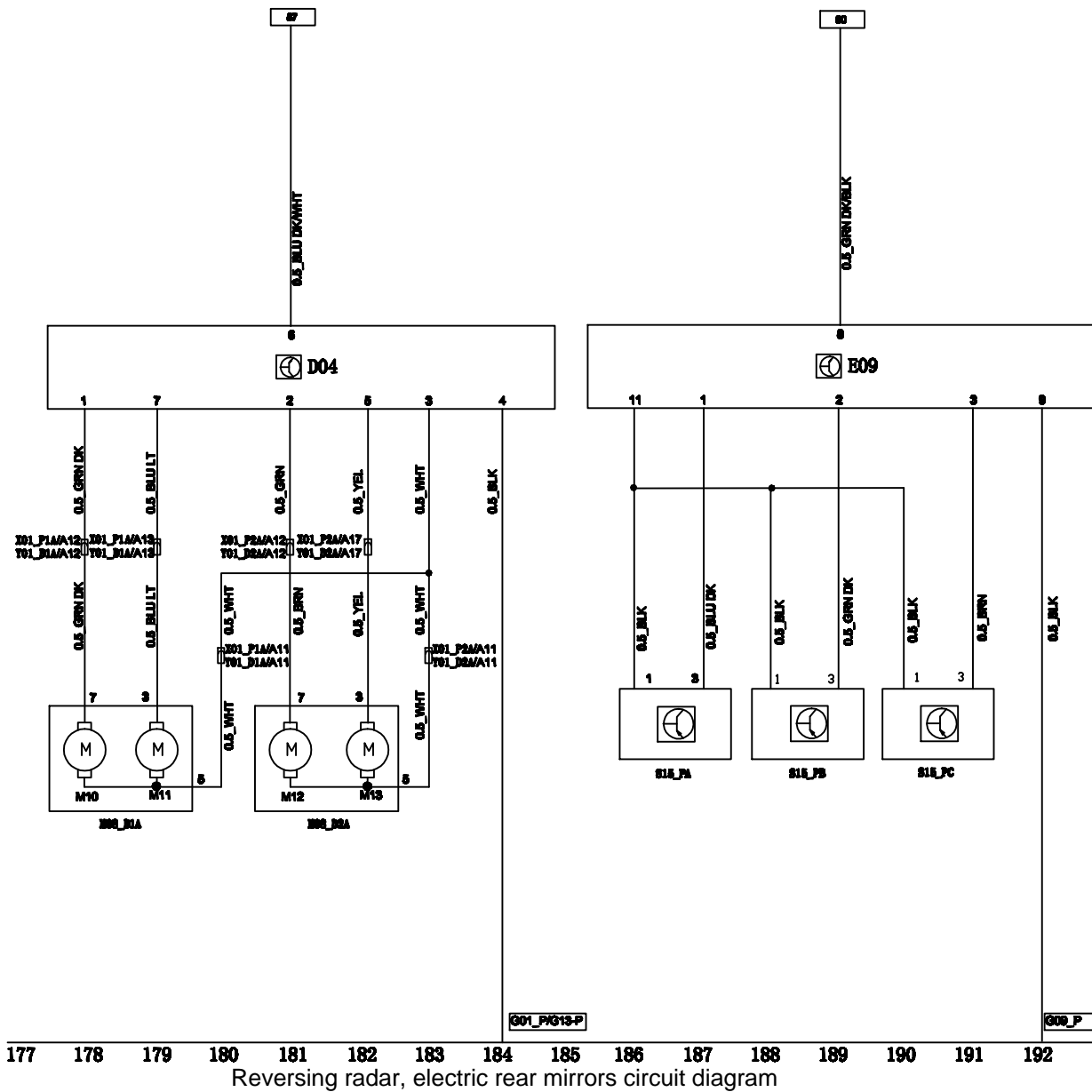
- E06_PC-body ECU BCM connector 16 holes white
- D01_D1B-left rear door power window switch
- D01_D2A-right front door power window switch
- D01_D2B-right rear door power window switch
- D01_D1A-left front door power window switch
- X01_P1A Y01_D1A-dashboard main wiring harness splicing to LF door wiring harness 18 holes black
- X01_P1B Y01_D1A-dashboard main wiring harness splicing to LF door wiring harness 14 holes white
- X01_P2A Y01_D2A-dashboard main wiring harness splicing to RF door wiring harness 18 holes black
- Y02_P1A X02_D1B-LR door wiring harness splicing to main wiring harness 14 holes white
- Y02_P2A X02_D2B-RR door wiring harness splicing to main wiring harness 14 holes white

BAT

R01

REC BATT

R02



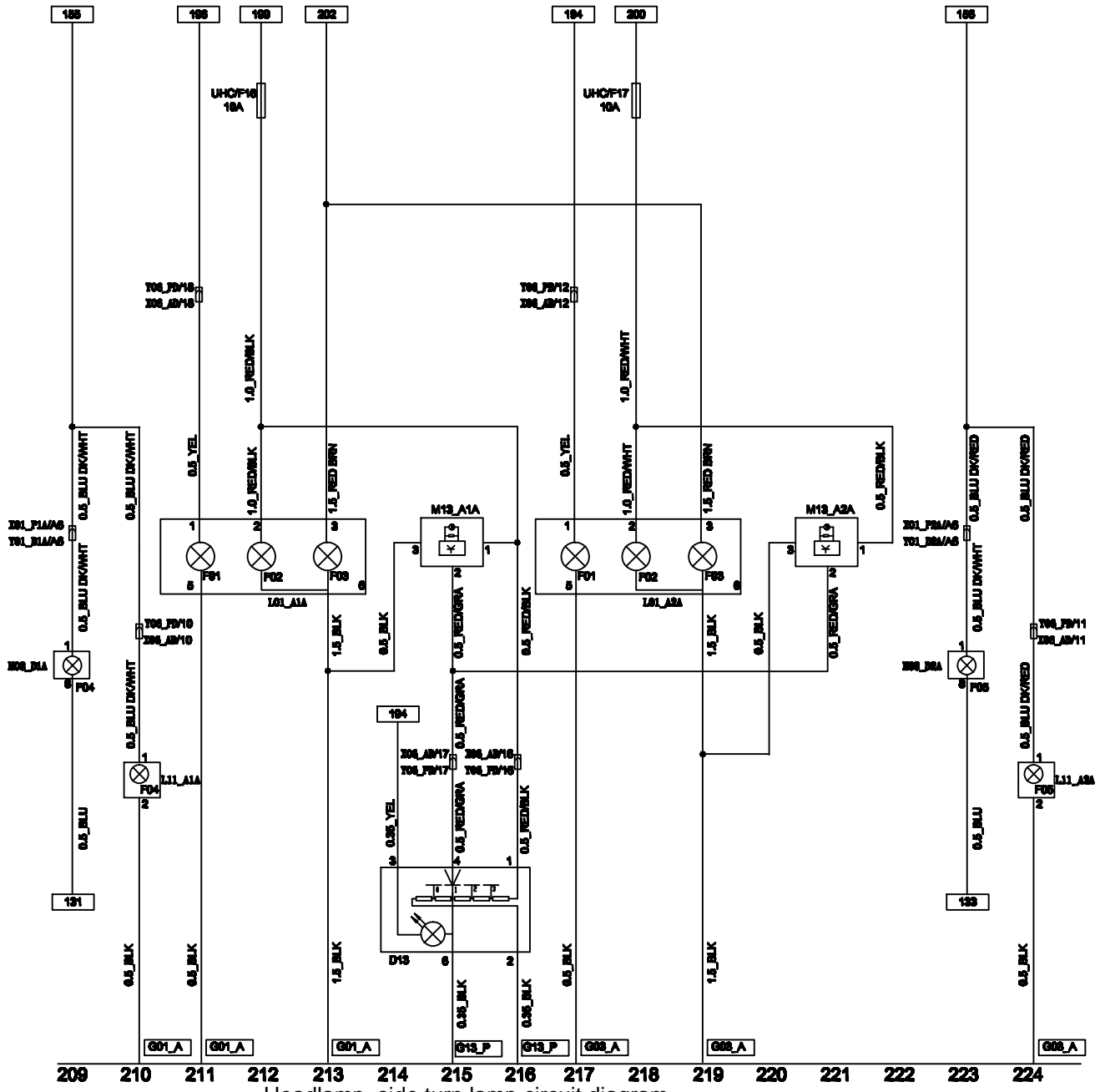
Reversing radar, electric rear mirrors circuit diagram

- M08_D1A-left front door electric rear mirror
- M08_D2A-right front door electric rear mirror
- D04-electric rear mirror switch
- E09_PA-reversing radar ECU connector 16 holes black
- D04_PA-electric rear mirror switch connector 8 holes white
- S15_PA-left side reversing radar sensor connector 3 holes
- S15_PB-mid reversing radar sensor connector 3 holes
- S15_PC-right side reversing radar sensor connector 3 holes
- X01_P1A Y01_D1A-dashboard main wiring harness splicing to LF door wiring harness 18 holes black
- X01_P2A Y01_D2A-dashboard main wiring harness splicing to RF door wiring harness 18 holes black
- G01_P-ground point on the pillar-A at the left of main wiring harness
- G13_P-ground point on the pillar-A at the left of main wiring harness
- G09_P-ground point below the RR seat

BAT

IG1

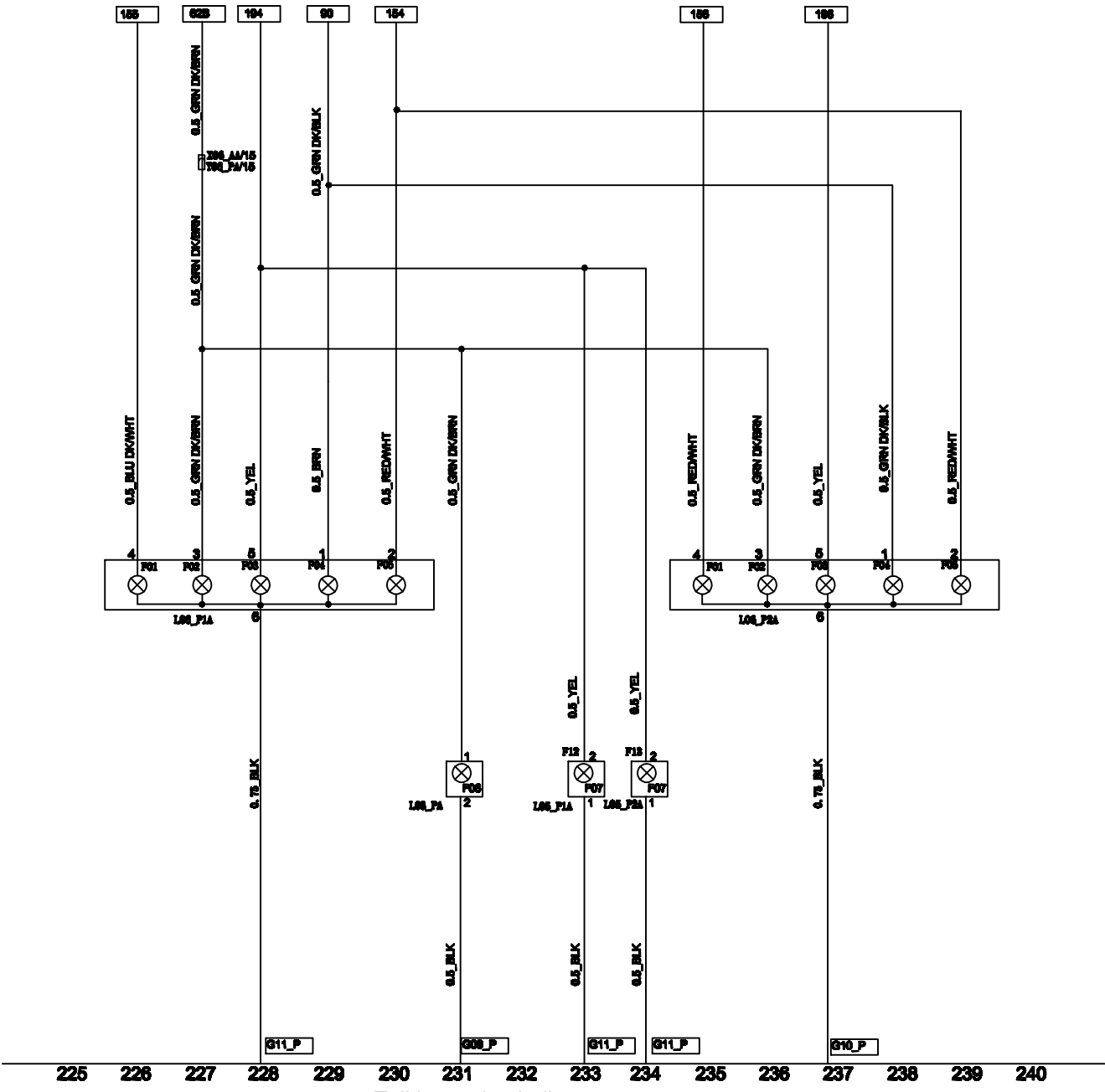
IG2



Headlamp, side turn lamp circuit diagram

- UHC-engine compartment fuse box
- F01-position lamp
- F02-low beam
- F03-high beam
- F04-left turning lamp
- F05-right turning lamp
- D13-headlamp adjustment switch
- M13_A1A-left headlamp electric adjustment motor connector 3 holes black
- M13_A2A-right headlamp electric adjustment motor connector 3 holes black
- M08_D1A-LF door electric rear mirror 8 holes black
- M08_D2A-RF door electric rear mirror 8 holes black
- L11_A1A-LF turning lamp connector 2 holes
- L11_A2A-RF turning lamp connector 2 holes
- L01_A1A-left headlamp connector 6 holes black
- L01_A2A-right headlamp connector 6 holes black
- X01_P1A Y01_D1A-dashboard main wiring harness and LF door wiring harness connector 18 holes black
- X01_P2A Y01_D2A-dashboard main wiring harness and RF door wiring harness connector 18 holes black
- X06_AD Y06_PD dashboard main wiring harness splicing to engine compartment wiring harness 20 holes blue
- X06_AB Y06_PB dashboard main wiring harness splicing to engine compartment wiring harness 20 holes white
- G01_A-ground point in the left of the engine compartment
- G03_A-ground point in the right of the engine compartment
- G13_P-ground point on the pillar-A at the left of main wiring harness

BAT
IG1
IEC BATT
IG2



Tail lamp circuit diagram

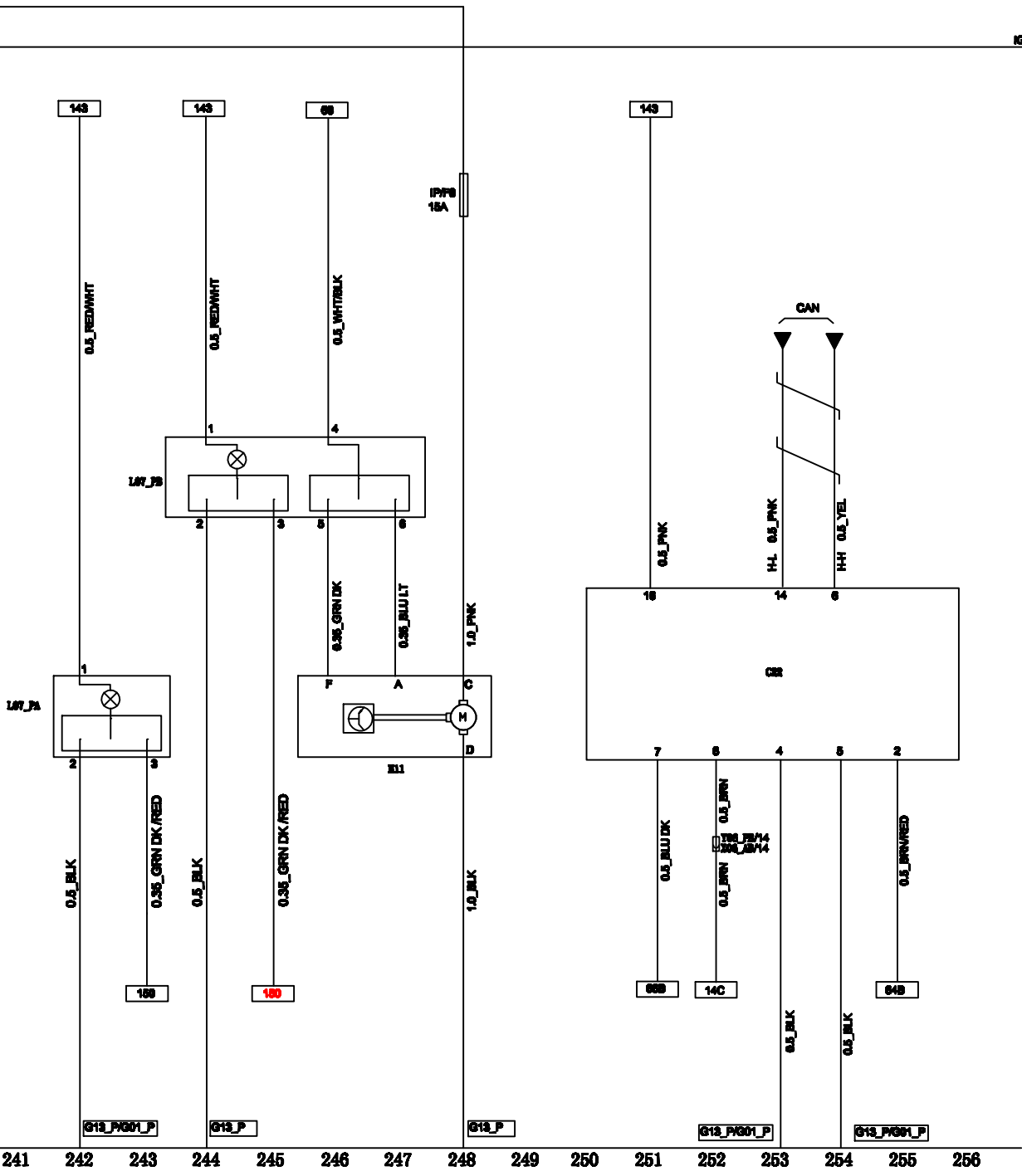
L06_P1A- left tail lamp connector 6 holes white
 L06_P2A- right tail lamp connector 6 holes white
 L03_PA-high-mounted brake lamp connector 2 holes
 X06_AA Y06_PA-dashbord splicing to engine compartment connector 20 holes blue
 G09_P-ground point below left pillar-C
 G10_P-ground point below the RR seatÿ
 G11_P-ground point below the LR combination lamp

F01-right turning lamp
 F02-brake lamp
 F03-rear position lamp
 F04-reversing lamp
 F05-rear fog lamp
 F06-high-mounted brake lamp
 F07-licence plate lamp

BAT

G1

G2



Interior dome lamp, sunroof ECU circuit diagram

IP-dashboard fuse box

L07_PA-front interior dome lamp connector(without sunroof) 3 holes white

L07_PB-front interior dome lamp connector(with sunroof) 6 holes white

M11-sunroof ECU

X06_AB Y06_PB-dashboard splicing to engine compartment wiring harness 20 holes white

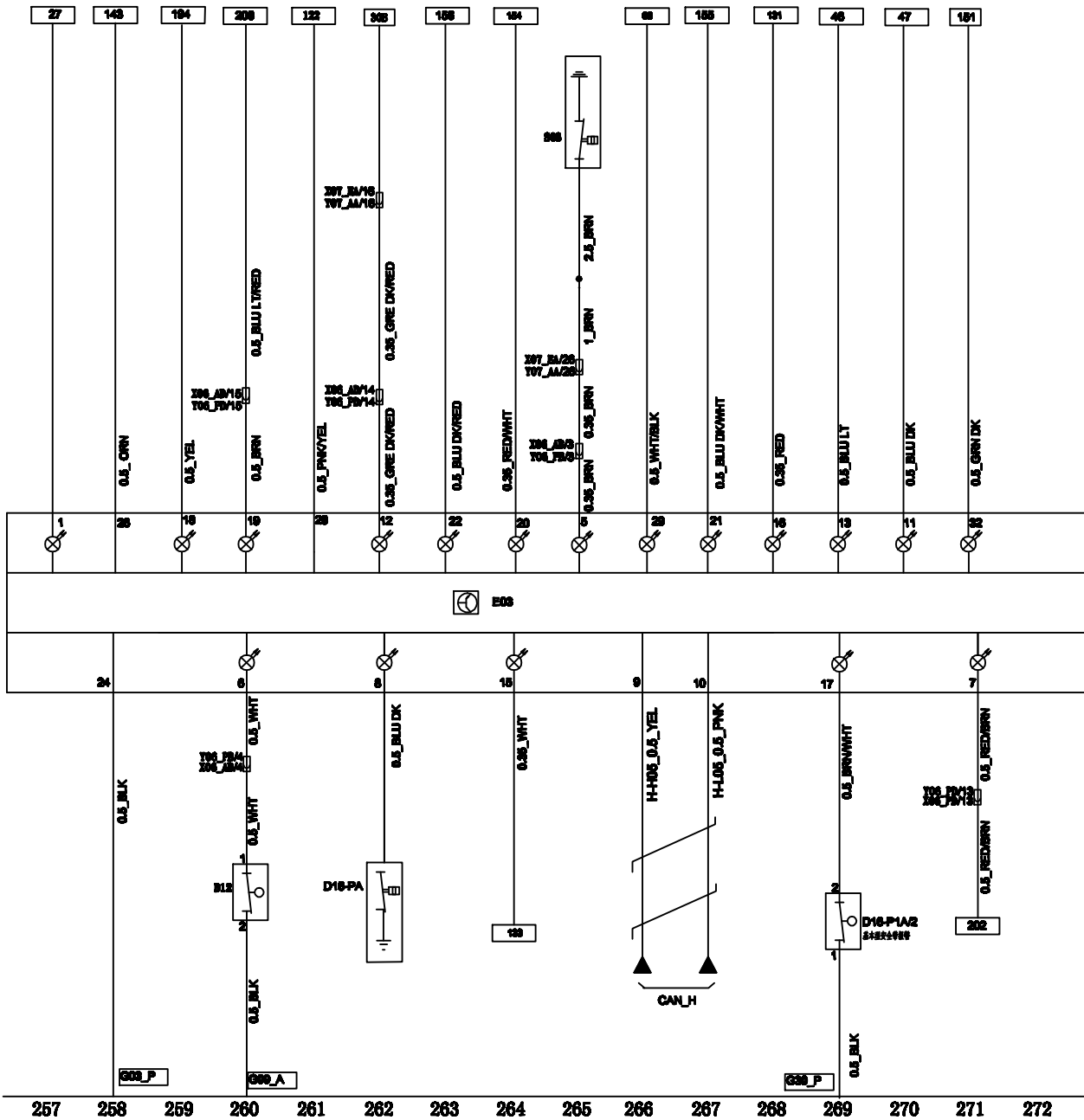
G01_P-ground point on the pillar-A at the left of main wiring harness

G13_P-ground point on the pillar-A at the left of main wiring harness

BAT

R01

R02



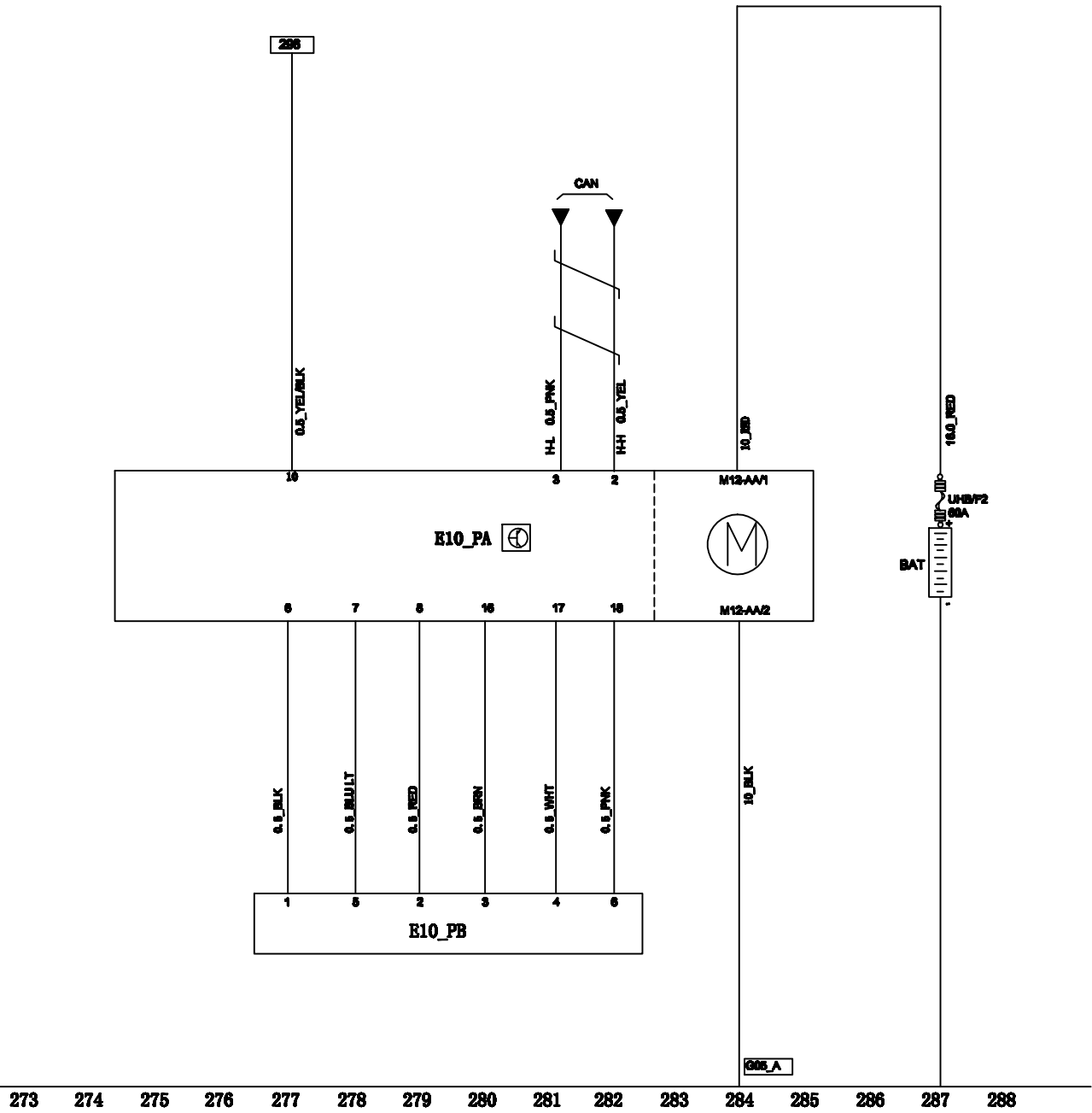
Instrument cluster circuit diagram

- E03_PA-instrument cluster connector 32 holes blue
- D12-brake fluid sensor connector 2 holes
- D18_PA-hand brake switch 1 hole black
- S03-oil pressure sensor 1 hole black
- D16_P1A safe belt lock connector of the driver 2 holes white
- X06_AD Y06_PD-dashboard wiring harness splicing to engine compartment wiring harness 20 holes blue
- X06_AB Y06_PB-dashboard wiring harness splicing to engine compartment wiring harness 20 holes white
- X07_EA Y07_AA-engine compartment wiring harness splicing to EFI wiring harness 42 holes
- G30_P-ground point on the airbag
- G09_A-ground point on the LF shock absorber in the engine compartment
- G03_P-ground point on the left pillar-A

BAT

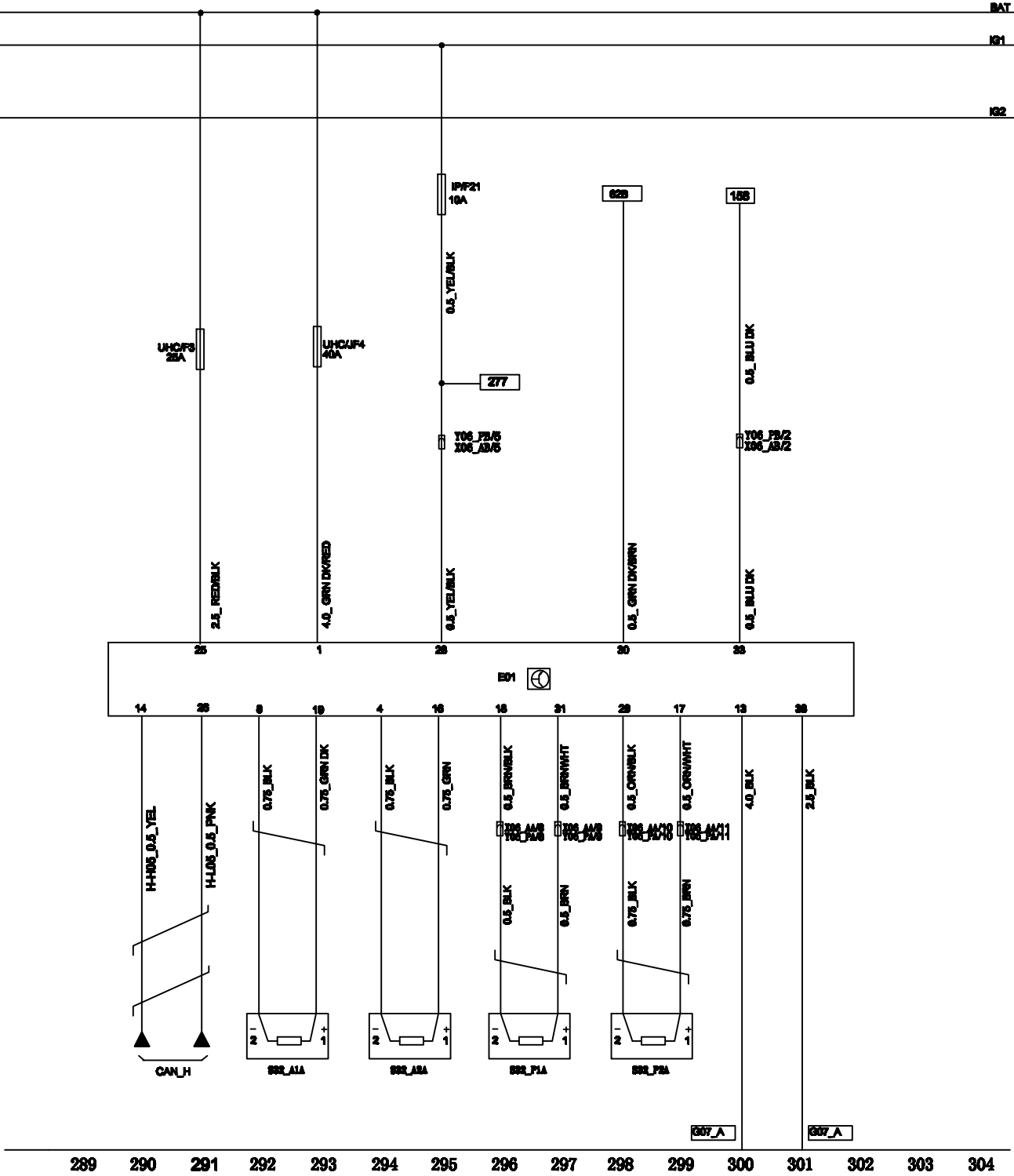
IG1

IG2



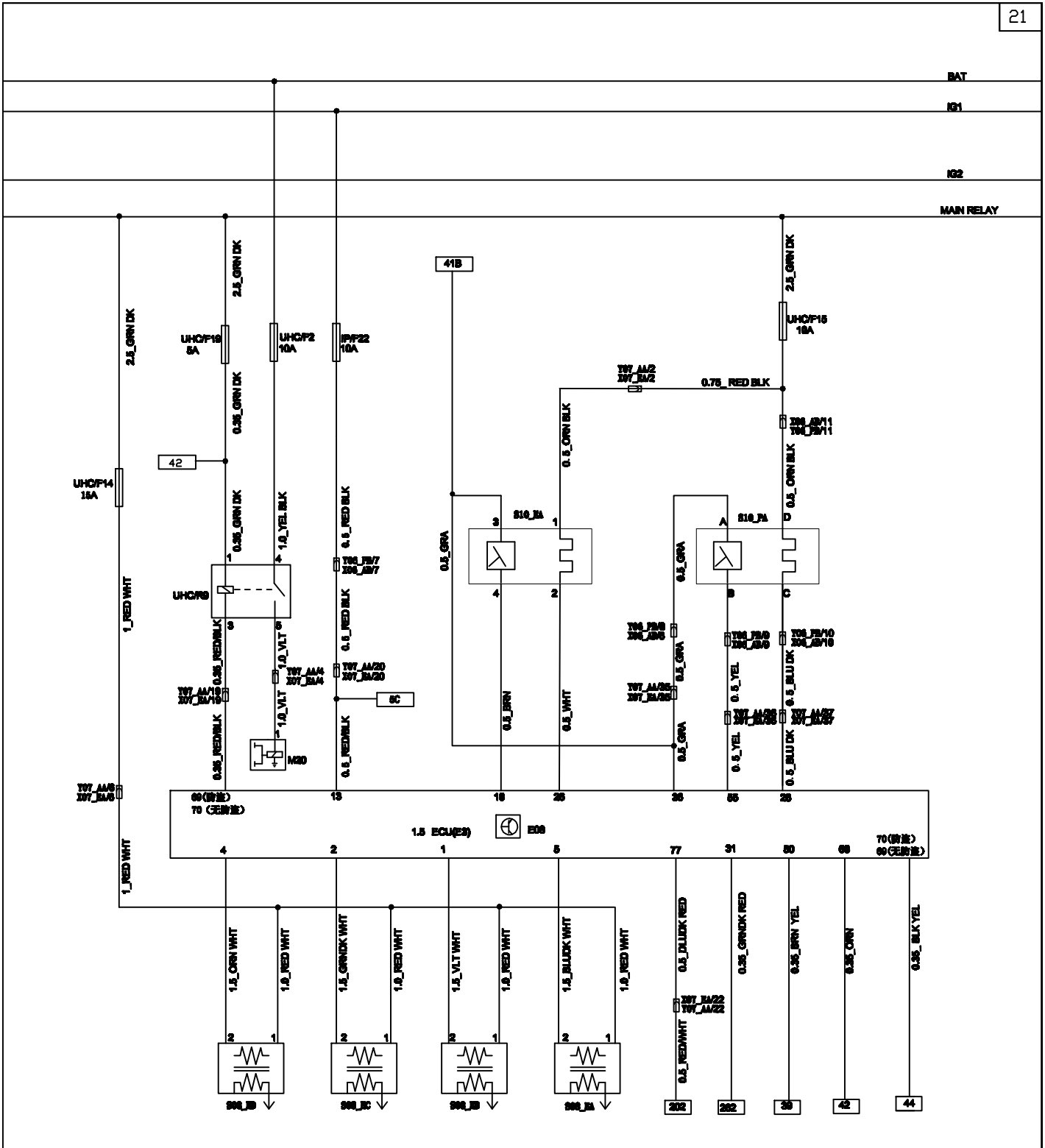
Electric power steering circuit diagram

- UHB(BAT)-connection, engine compartment fuse box connecting to positive pole of battery
- BAT-battery
- E10_PA-electric power steering ECU connector 20 holes black
- E10_PB-torque sensor connector 6 holes
- M12_AA-electric power steering power connector 2 holes black
- G05_A-ground 2 on the left shock absorber in the engine compartment



ABS system circuit diagram

- UHC-engine compartment fuse box
- IP-dash-board fuse box
- E01-ABS ECU connector 38 holes black
- S32_A1A-left front wheel speed sensor
- S32_A2A-right front wheel speed sensor
- S32_P1A-left rear wheel speed sensor
- S32_P2A-right rear wheel speed sensor
- X06_AA Y06_PA-dash-board splicing to engine compartment connector 20 holes blue
- X06_AB Y06_PB-dash-board splicing to engine compartment connector 20 holes white
- G07_A-ground point 1 on the right shock absorber



BM 1.5 EFI unit circuit diagram 2

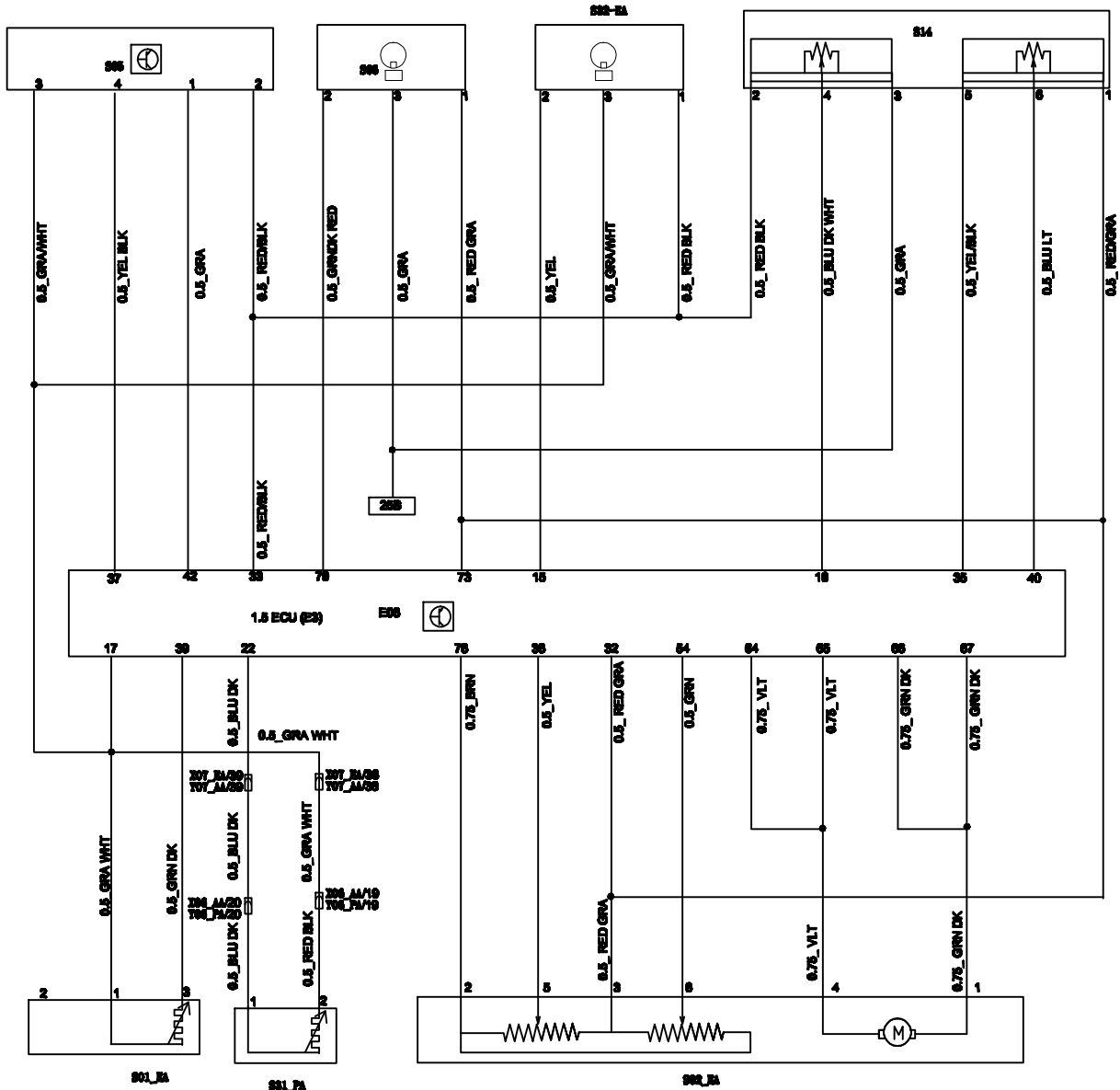
- UHC-engine compartment fuse box
- IP-dashboard fuse box
- E08-engine ECU connector 81 holes black
- X07_EA Y07_AA-engine compartment wiring harness splicing to EFI wiring harness 42 holes
- X06_AB Y06_PB-dashboard splicing to engine compartment connector 20 holes white
- S08_EA-ignition coil 1 connector 2 holes black
- S08_EB-ignition coil 2 connector 2 holes black
- S08_EC-ignition coil 3 connector 2 holes black
- S08_ED-ignition coil 4 connector 2 holes black
- S10_EA-front oxygen sensor connector 4 holes white
- S10_PA-rear oxygen sensor connector 4 holes white

BAT

IG1

IG2

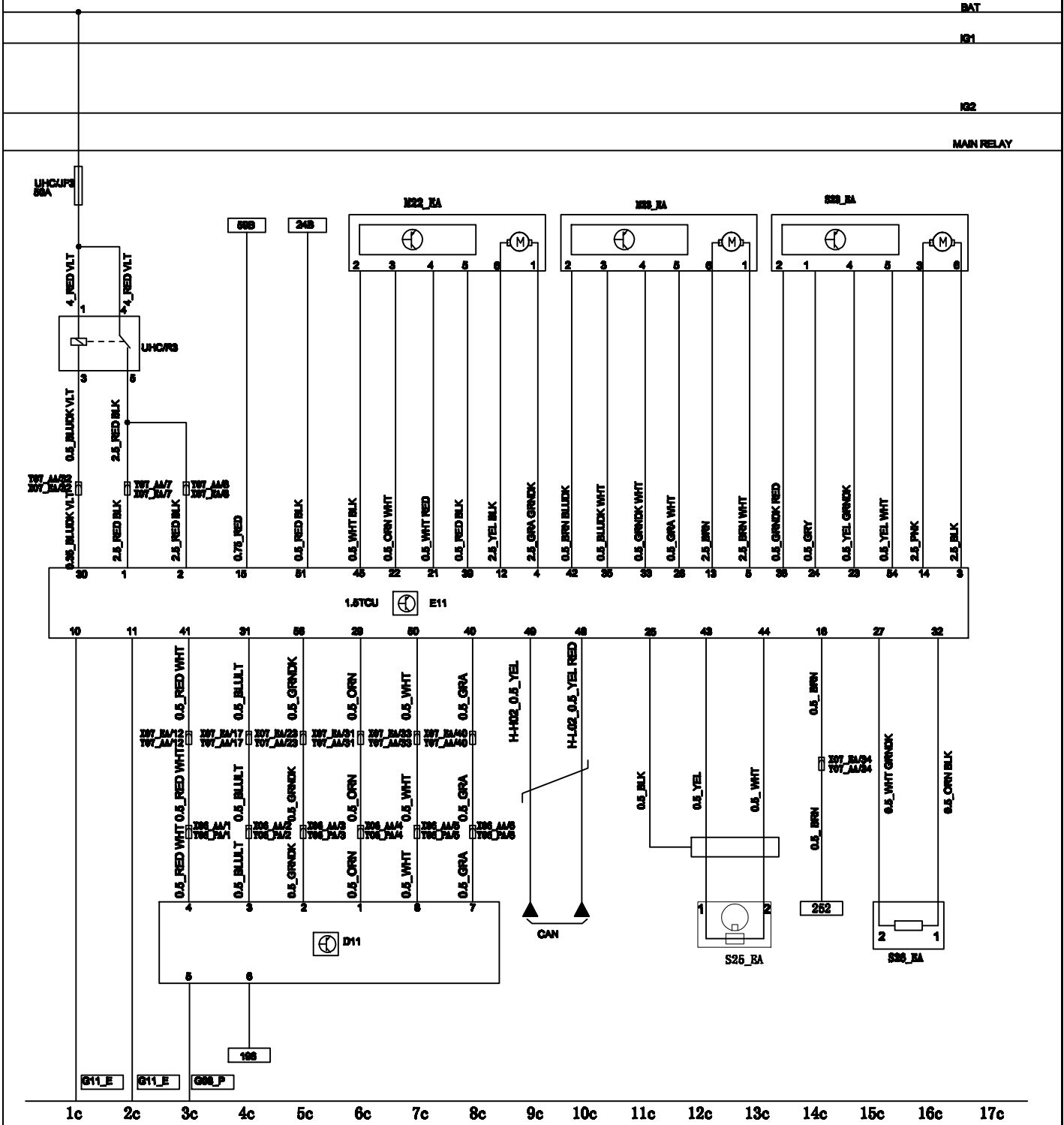
MAIN RELAY



35b 36b 37b 38b 39b 40b 41b 42b 43b 44b 45b 46b 47b 48b 49b 50b 51b

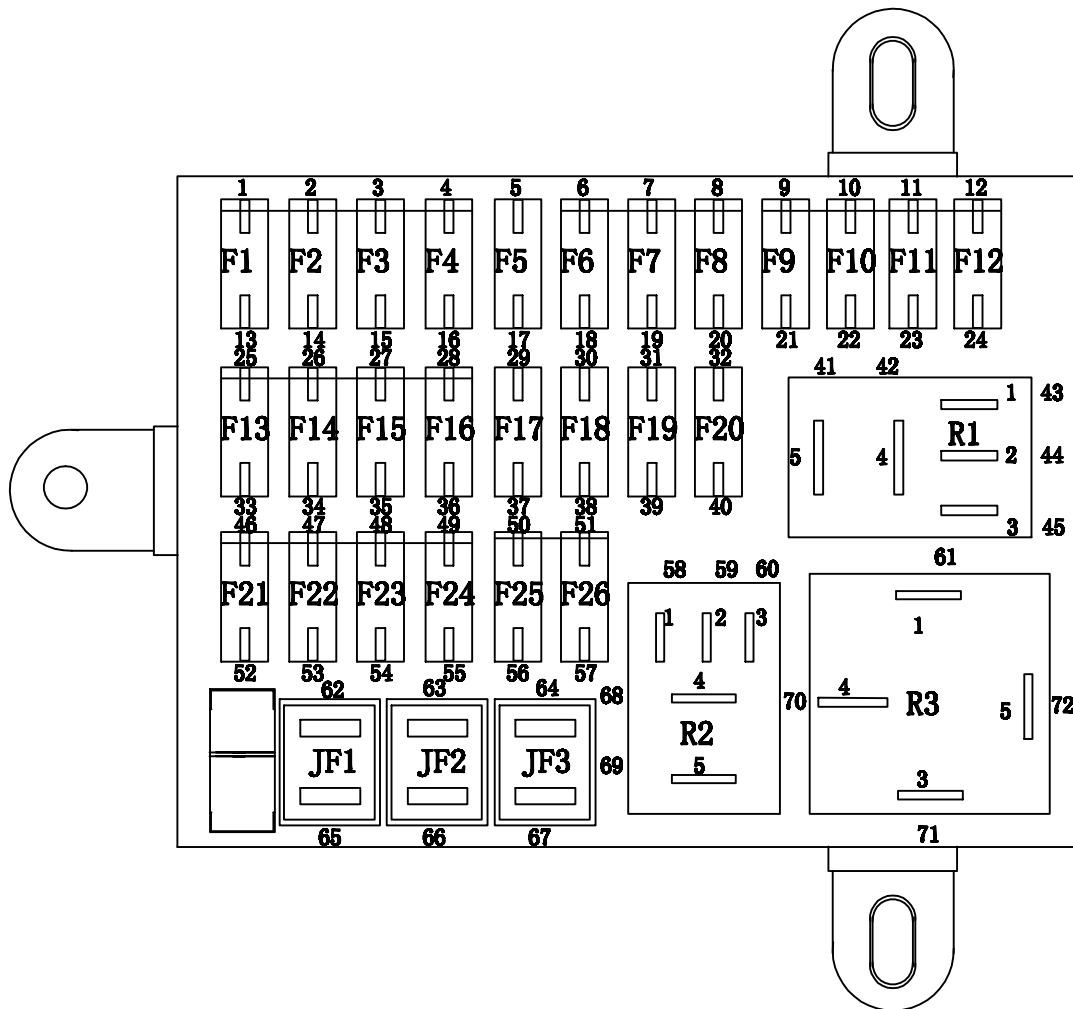
BM 1.5 EFI unit circuit diagram 3

- E08_EA-EFI ECU connector 81 holes black
- S01_EA-water temperature sensor connector 3 holes black
- S05_EA-airflow sensor connector 4 holes gray
- S02_EA-throttle valve sensor connector 6 holes black
- S32_EA-speed sensor connector 3 holes black
- S06_EA-camshaft sensor connector 3 holes black
- S14_EA-accelerator pedal connector 6 holes black
- X07_AA Y07_EA-EFI wiring harness splicing to main wiring harness 42 holes black
- S31_PA-evaporimeter temperature sensor 2 holes
- X06_AA Y06_PA-dashboard splicing to engine compartment connector 20 holes blue



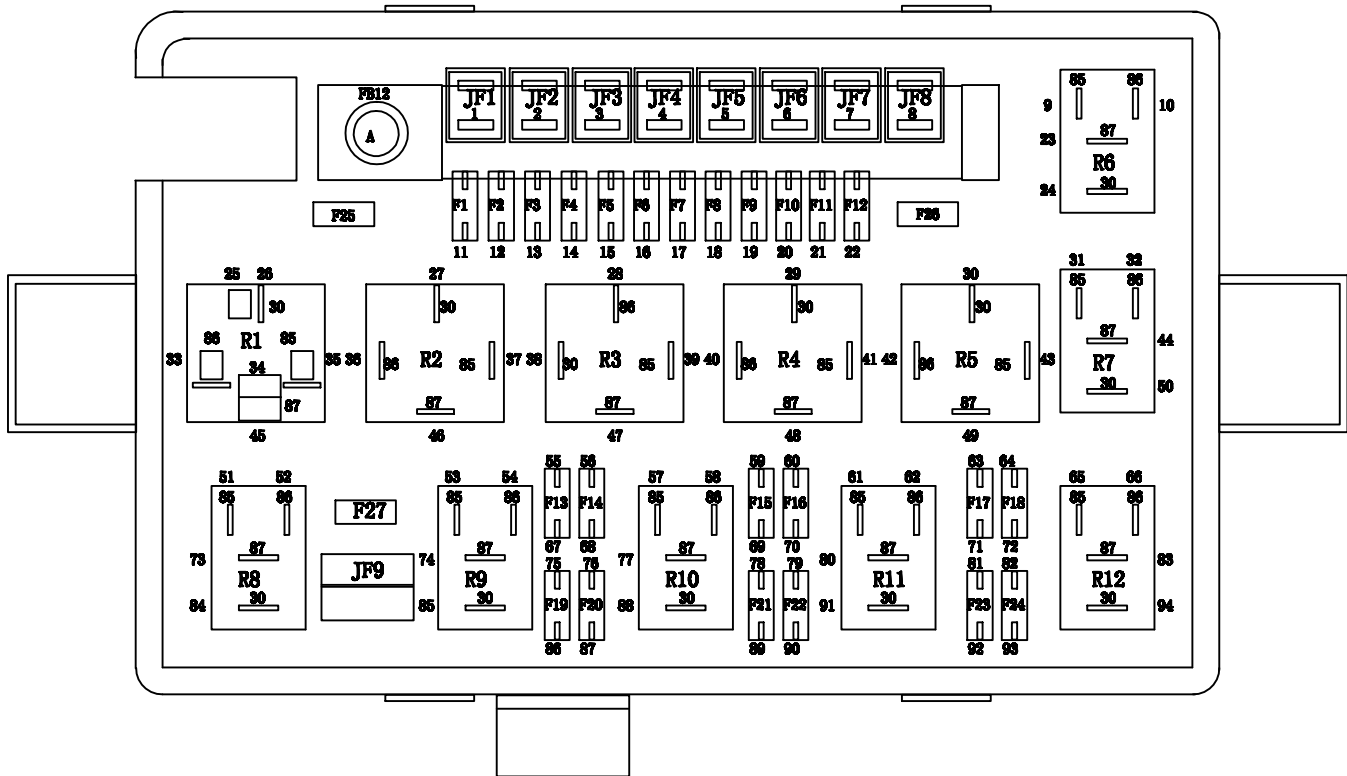
BM1.5 AMT EFI unit circuit diagram

- UHC-engine compartment fuse box
- E11-AMT gearbox TCU 66 holes black
- M22_EA-AMT generator1
- M23_EA-AMT generator2
- S23_EA-clutch electrode&sensor
- X07_AA Y07_EA-EFI wiring harness splicing to main wiring harness 42 holes black
- X06_AA Y06_PA-dash-board splicing to engine compartment connector 20 holes blue
- S25_EA-speed sensor
- S26_EA-tempreture sensor
- E02_PA-anti-theft ECU connector 8 holes black
- D11_PA-AMT gearshift ECU connector 8 holes black
- G08_P-ground point below left pillar-A
- G11_E-ground point on AMT



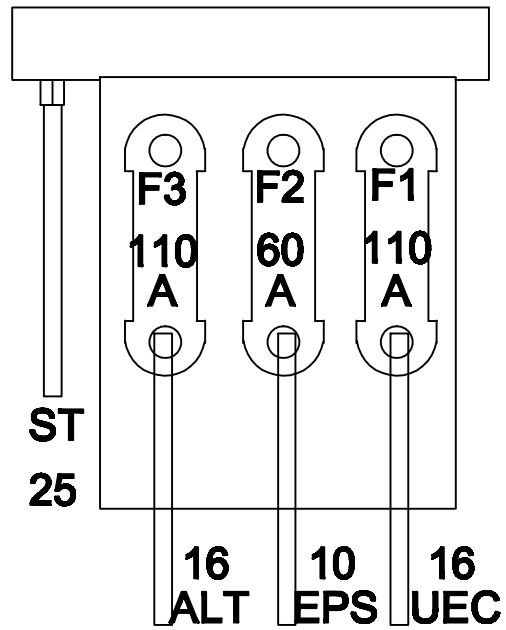
Instruction diagram for cockpit fuse box

IP-F1	Front internal lamp/instrument (10A)	IP-F17	Front wiper switch fuse (20A)
IP-F2	Brake fuse (10A)	IP-F18	Position 1 fuse (10A)
IP-F3	Radio fuse (15A)	IP-F19	Position 2 fuse (10A)
IP-F4	Engine ECU fuse (15A)	IP-F20	Start control coil fuse (5A)
IP-F5	Rear wiper/rear defroster relay coil fuse(15A)	IP-F21	ABS/electronic power steering fuse (10A)
IP-F6	Danger warning/rear fog lamp fuse (15A)	IP-F22	Engine ECU fuse (10A)
IP-F7	Door lock fuse (20A)	IP-F23	BCM/instrument fuse (10A)
IP-F8	Sunroof fuse (15A)	IP-F24	Airbag fuse (10A)
IP-F9	LF electric window fuse (20A)	IP-F25	Rear mirror fuse (7.5A)
IP-F10	RF electric window fuse (20A)	IP-F26	Lighter fuse (15A)
IP-F11	LR electric window fuse (20A)	IP-JF1	NA
IP-F12	RR electric window fuse (20A)	IP-JF2	NA
IP-F13	A/C compressor fuse (10A)	IP-JF3	Blower fuse (30A)
IP-F14	IG2 control coil fuse (5A)	R01	Rear defrost relay (30A)
IP-F15	Washing fluid pump fuse (10A)	R02	Back lamp relay (30A)-for AMT
IP-F16	Back switch fuse (10A)	R03	IG2 relay (40A)



Instruction diagram for engine compartment fuse box

UHC-F1	Fuel pump fuse (15A)	UHC-F27	Backup fuse (30A)
UHC-F2	A/C compressor fuse (10A)	UHC-JF1	Fan fuse (40A)
UHC-F3	ABS valve fuse (25A)	UHC-JF2	IEC power 1fuse (50A)
UHC-F4	Ignition switch 2 fuse (30A)	UHC-JF3	Gearbox ECU fuse (50A)
UHC-F5	Rear defrost fuse (30A)	UHC-JF4	Braking pump motor fuse (40A)
UHC-F6	Front fog lamp fuse (15A)	UHC-JF5	IG2 fuse (40A)
UHC-F7	Low beam fuse (15A)	UHC-JF6	IEC power 2 fuse (50A)
UHC-F8	High beam fuse (15A)	UHC-JF7	Ignition switch 1 fuse (30A)
UHC-F9	Start relay fuse (30A)	UHC-JF8	NA
UHC-F10	Main relay fuse (30A)	UHC-JF9	Backup fuse (40A)
UHC-F11	Horn fuse (10A)	R01	Cooling fan high relay (40A)
UHC-F12	NA	R02	Cooling fan low relay (40A)
UHC-F13	Main relay load fuse (10A)	R03	AMT relay (50A)
UHC-F14	Ignition coil fuse (15A)	R04	NA
UHC-F15	Oxygen sensor fuse (10A)	R05	Main relay (40A)
UHC-F16	Nozzle fuse (10A)	R06	Horn relay (30A)
UHC-F17	Left low beam fuse (10A)	R07	Start relay (30A)
UHC-F18	Right low beam fuse (10A)	R08	Oil pump relay (30A)
UHC-F19	Main relay output control signal fuse (5A)	R09	A/C compressor (30A)
UHC-F20	NA	R10	Front fog lamp relay (30A)
UHC-F21	NA	R11	Low beam relay (30A)
UHC-F22	NA	R12	High beam relay (30A)
UHC-F23	NA		
UHC-F24	NA		
UHC-F25	Backup fuse (10A)		
UHC-F26	Backup fuse (15A)		



Instruction diagram for battery positive electrode distribution box

- F1 UEC power fuse (110A)
- F2 Steering system fuse (60A)
- F3 Generator fuse (110A)



SAIPA YADAK

Daroupakhsh St.17th Km Karaj Makhsos Road-TEHRAN-IRAN

www.saipayadak.org